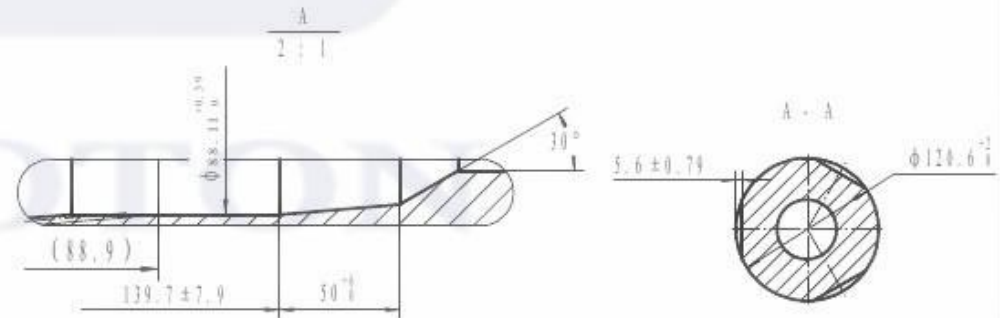


sales@sxgtpm.com

Tel: + 86-29-87872212

Mob: +86-13402943512 ( WhatsApp )

www.gaotondrillings.com



1. The technical requirements should be according to API7-1.
2. Three spiral grooves, right hand uniform distribution, lead value is  $965 \pm 25.4$ mm,


4 3/4" Spiral DC  
( Elevator, Slip ) NC38  
Material: 4145H

LZT121-9450-57					
<b>GAOTON</b>					